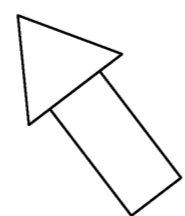
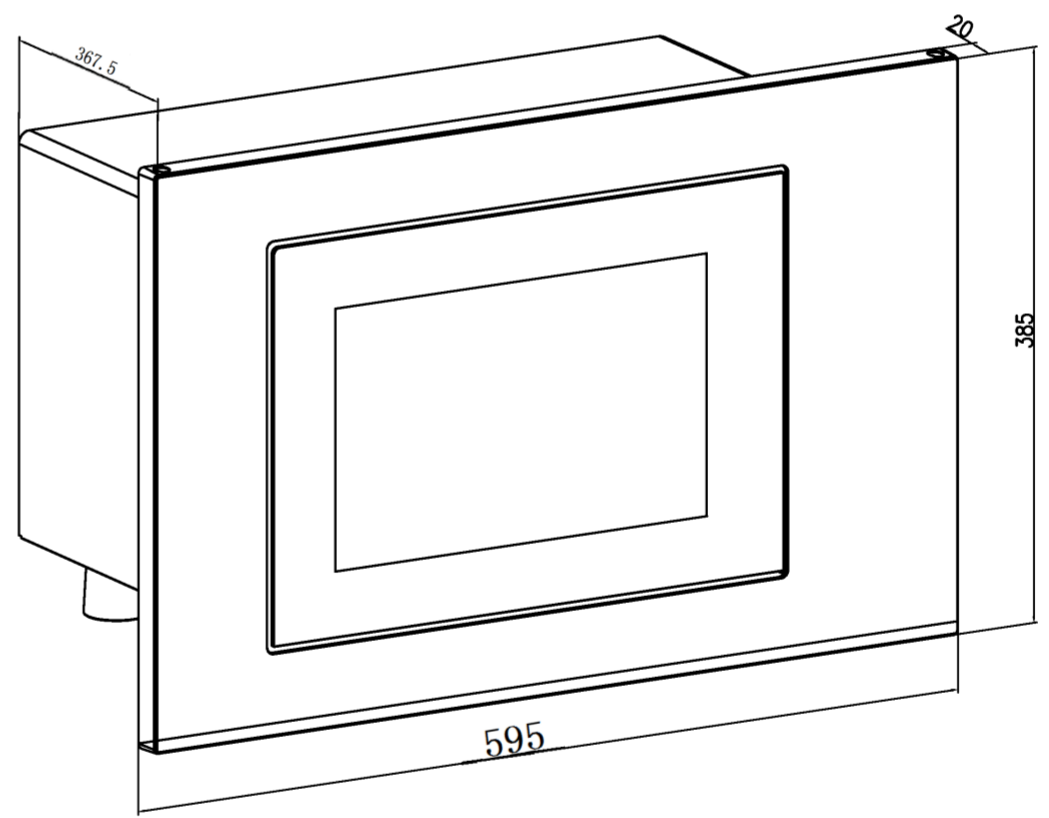
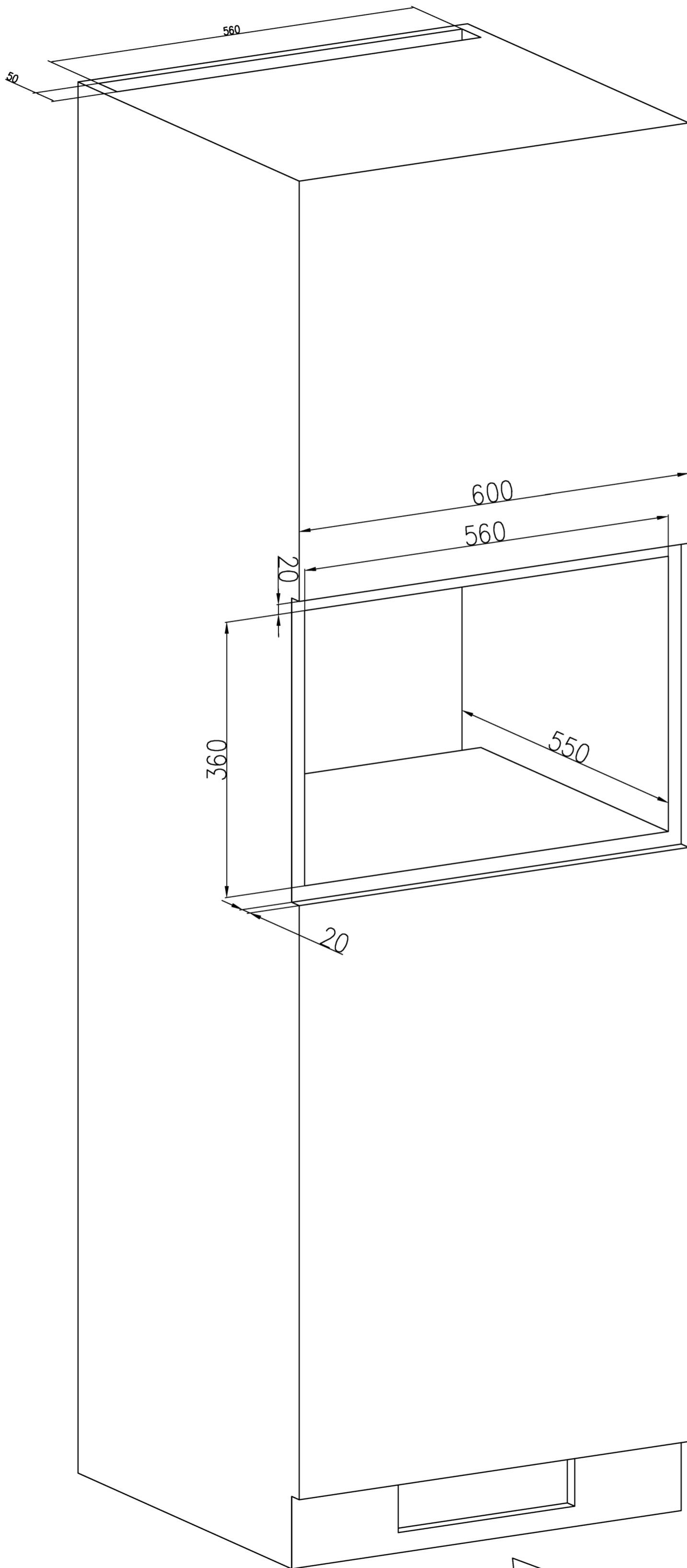
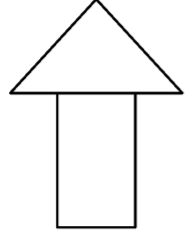


Exhaust port



Intake

Unit: mm